

INSTALLING JUMBO TEX®

**THIS GUIDE APPLIES TO ALL GRADES OF
JUMBO TEX, HYDROTEX™ AND WEATHER TEX®**

Fortifiber Building Systems Group® provides this guide to assist installers by demonstrating an efficient and effective method for installing **Jumbo Tex** and the **Jumbo Tex** hybrid products – **HydroTex** and **Weather Tex** – in common residential and light commercial settings. The back of this document has details regarding integrating these products with window flashing.

Compliance with the building code and proper installation are critical in reducing potential water leakage points. It is the responsibility of the architect or builder to ensure that these standards are met.

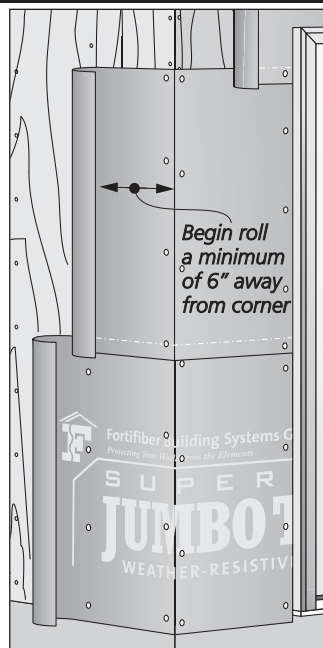
This guide applies to the following:

- **Super Jumbo Tex 60 minute**
40" x 240 and 324 sq. ft. rolls
- **Two-Ply Super Jumbo Tex 60 minute**
40" x 162 sq. ft. rolls
- **Jumbo Tex**
40" x 324 and 500 sq. ft. rolls
- **Two-Ply Jumbo Tex**
40" x 162 and 250 sq. ft. rolls
- **HydroTex**
40" x 162 sq. ft. rolls
- **Weather Tex**
40" x 162 sq. ft. rolls

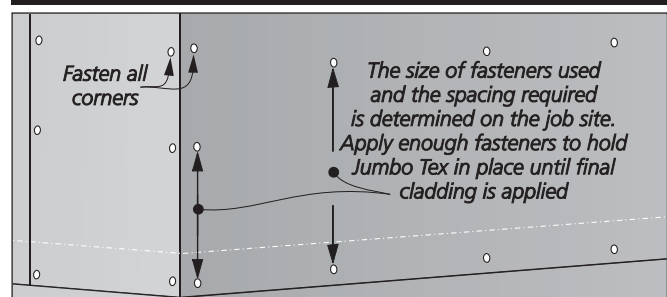


1 INSTALLING JUMBO TEX

Install **Jumbo Tex** directly to studs or over an approved exterior sheathing. (When using **HydroTex** or **Weather Tex**, install black side out.) Starting at the bottom of one end of the wall, place the **Jumbo Tex** roll horizontally (overlapping the corner by a minimum of 6") and roll out the first course evenly, integrating with flashing at window and door openings. Place the membrane so that it is tight and flat. Apply enough fasteners to hold **Jumbo Tex** in place until the final wall cladding is installed.



2 FASTENING

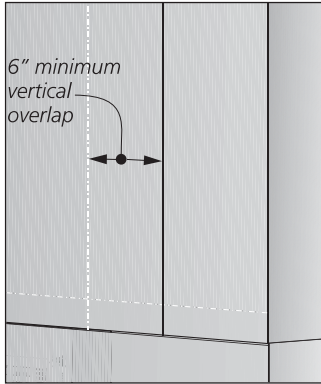


Under normal conditions, attaching **Jumbo Tex** with a quality exterior grade staple is acceptable. A higher grade of galvanized fastener, or large headed galvanized nail may be required in certain settings or weather conditions.

It is the responsibility of the architect, builder, or foreman to decide the type of exterior grade fastener that will best suit the job at hand and how many of these fasteners are required.

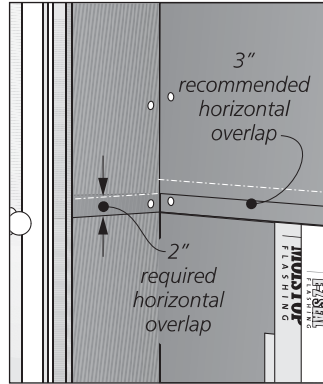
3 SEAM OVERLAPS

VERTICAL



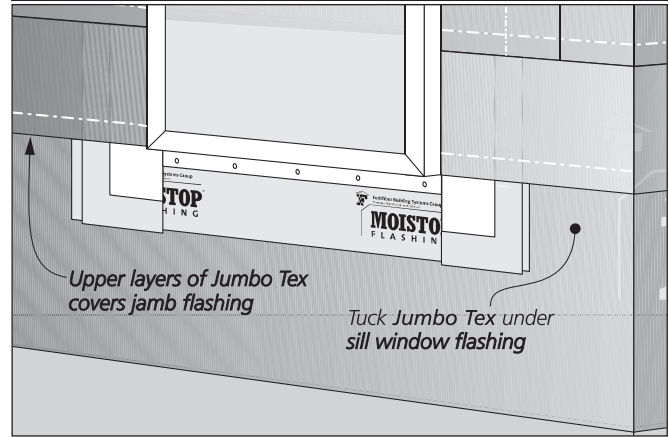
At vertical seams, apply a minimum 6" vertical overlap. When going around corners, make sure **Jumbo Tex** is pulled tightly and properly fastened.

HORIZONTAL



Any succeeding course should be placed horizontally over the lower course in a weather-board fashion with a minimum horizontal overlap of 2" (3" is recommended).

4 JUMBO TEX® AND WINDOWS



When a layer of **Jumbo Tex** first crosses the path of any window, it needs to be properly integrated with the window sill and jamb flashing for quality moisture management. To do this, tuck **Jumbo Tex** under the sill and jamb flashing as shown above. The layers above this point can butt into the window jamb.

JUMBO TEX AND WINDOW FLASHING

Windows, window flashings, and weather barriers must be properly integrated in order to form a comprehensive moisture control system. The windows shown in this guide follow the "High Performance Two-Step" method of window flashing. A detailed guide for this method of flashing can be found at www.fortifiber.com.

Also, you can find other detailed instructions on how to integrate weather barriers and window flashings at the Fortifiber web site. Listed below are some of the common settings that you'll encounter when installing Jumbo Tex.

WHEN WEATHER-RESISTIVE BARRIER IS INSTALLED AFTER THE WINDOW

Use one of the following guides that apply:

Method A (self adhesive)

Method B (mechanically attached)

High Performance Two-Step

WHEN WEATHER-RESISTIVE BARRIER IS INSTALLED BEFORE THE WINDOW

Use the following guide:

Method A1 (self adhesive)

WEATHER-RESISTIVE BARRIERS AND SPECIALTY WINDOWS

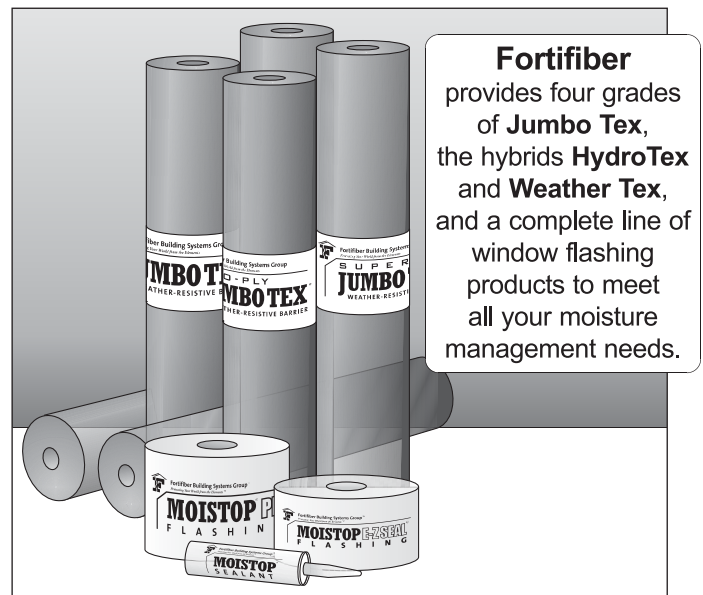
Use one of the following guides that apply:

Window and Door Flashing

(Installing windows and doors with integral brick mold)

Arched Window Flashing

Recessed Window Flashing



Fortifiber provides four grades of **Jumbo Tex**, the hybrids **HydroTex** and **Weather Tex**, and a complete line of window flashing products to meet all your moisture management needs.

Call 1-800-773-4777 Nationwide for Technical Assistance or visit our Web site at www.fortifiber.com

Limitations: Product should be covered as soon as possible. Inspect product to insure it is free of any protrusions or damage which may detract from the weather-resistant barrier integrity. Holes, tears or punctures should be sealed with Moistop® Sealant or Fortifiber Sheathing Tape. This product is not recommended for horizontal, roofing or below grade applications.



Protecting Your World from the Elements®

NATIONAL SALES OFFICE – Fernley, NV